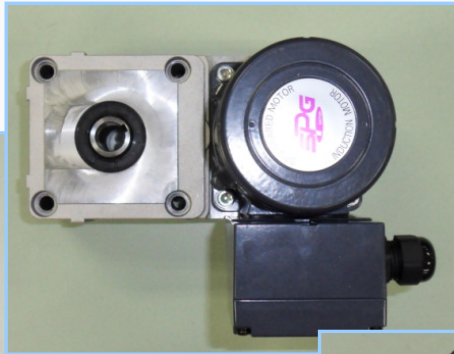
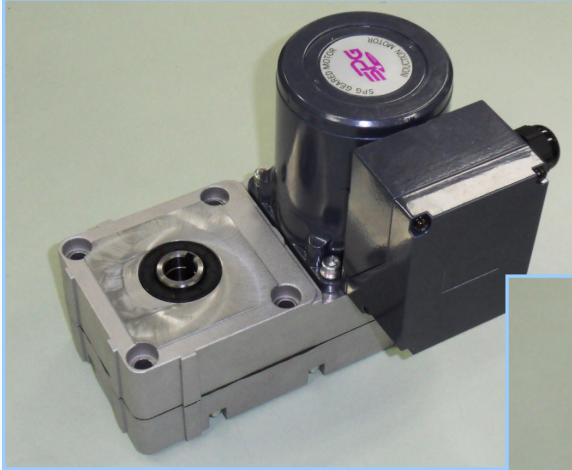


■ 90 FB series



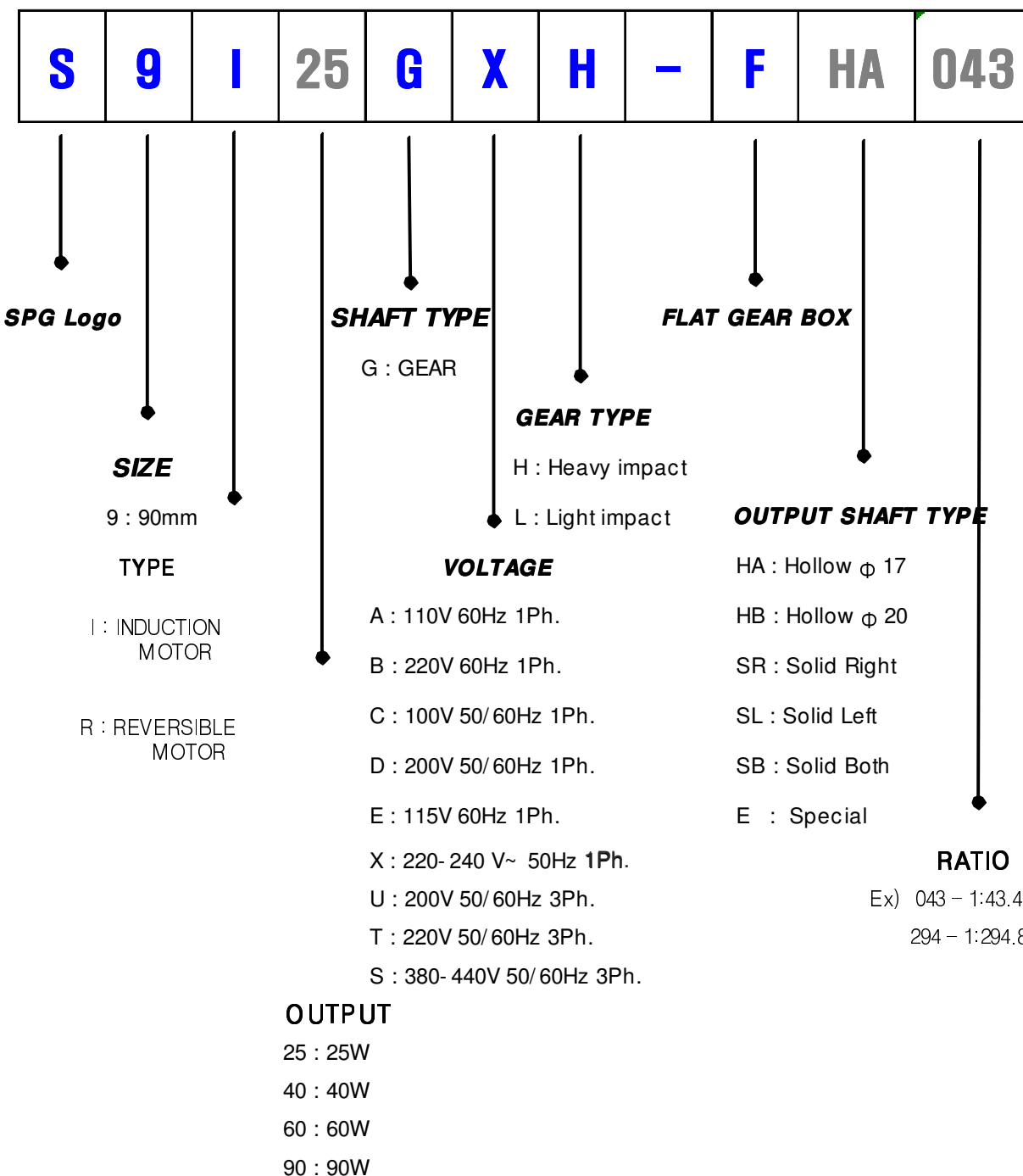
Standard Feature

- ***It is possible to apply the large output and high strength.***
- ***Maximum Permissible TORQUE is 50 Nm***
- ***All Ball Bearing.***
- ***Output gear and some gears are carburized.***
- ***Industrial rip type seals on motor and output shaft.***
- ***Protection class : IP 54***
- ***Insulation class : B Class (130 °C)***
- ***Special grease lubrication (KLUBERLUB GE 41- 470KR)***
- ***Ratio 1:43.4 to 905.4, other ratios on request***
- ***Hollow shaft 17, 20 mm with key slot***
- ***Capacitor is built in conduit box***

Options :

- ***Brake can be added***
- ***Insertion shaft left, right, or on both sides***

■ Coding system



SPECIFICATION

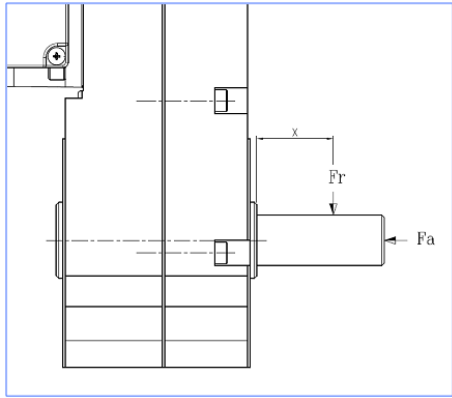
Motor

NO	Output	Voltage	Frequency	Duty	Rated			Starting Torque	Stall Torque	Capacitor
					Current	speed	Torque			
					A	rpm	Nm			
1	25	1Ph. 230	50	Cont.	0.27	1300	0.26	0.10	0.32	1.5
2	40				0.32	1300	0.31	0.19	0.41	2.0
3	60				0.48	1300	0.49	0.34	0.66	3.5
4	90				0.70	1300	0.74	0.53	0.98	5.0

Geared Motor

NO	Motor Design	Ratio	Stage	No Load		Rated			Permissible Torque	Starting Torque	Stall Torque
				Speed	Current	speed	Current	Torque			
				i		rpm	A	rpm			
1	25W	43	3	34.1	0.12	30.0	0.27	8.2	50.0	3.2	10.1
2		61	3	24.1	0.12	21.2	0.27	11.6		4.5	14.3
3		86	3	17.1	0.12	15.0	0.27	16.4		6.3	20.2
4		179	3	8.2	0.12	7.2	0.27	34.0		13.1	41.9
5		295	4	5.0	0.12	4.4	0.27	50.3		19.3	61.9
6		324	4	4.6	0.12	4.0	0.27	55.3		21.3	68.1
7		372	4	4.0	0.12	3.5	0.27	63.4		24.4	78.0
8		432	4	3.4	0.12	3.0	0.27	73.8		28.4	90.8
9		520	4	2.8	0.12	2.5	0.27	88.7		34.1	109.1
10		651	4	2.3	0.12	2.0	0.27	111.1		42.7	136.7
11		905	4	1.6	0.12	1.4	0.27	154.4		59.4	190.1
1	40W	43	3	34.1	0.15	30.0	0.32	9.8	50.0	6.0	12.9
2		61	3	24.1	0.15	21.2	0.32	13.9		8.5	18.2
3		86	3	17.1	0.15	15.0	0.32	19.5		12.0	25.7
4		179	3	8.2	0.15	7.2	0.32	40.5		24.8	53.4
5		295	4	5.0	0.15	4.4	0.32	60.0		36.7	78.9
6		324	4	4.6	0.15	4.0	0.32	66.0		40.4	86.8
7		372	4	4.0	0.15	3.5	0.32	75.6		46.3	99.5
8		432	4	3.4	0.15	3.0	0.32	88.0		53.9	115.8
1	60W	43	3	34.1	0.23	30.0	0.48	15.5	50.0	10.8	20.9
2		61	3	24.1	0.23	21.2	0.48	21.9		15.2	29.5
3		86	3	17.1	0.23	15.0	0.48	30.9		21.4	41.6
4		179	3	8.2	0.23	7.2	0.48	64.1		44.5	86.3
5		295	4	5.0	0.23	4.4	0.48	94.8		65.8	127.7
1	90W	43	3	34.1	0.30	30.0	0.70	23.4	50.0	16.8	31.0
2		61	3	24.1	0.30	21.2	0.70	33.1		23.7	43.8
3		86	3	17.1	0.30	15.0	0.70	46.6		33.4	61.7
4		179	3	8.2	0.30	7.2	0.70	96.8		69.3	128.2

● Permissible radial force (Fr) and axial force (Fa)

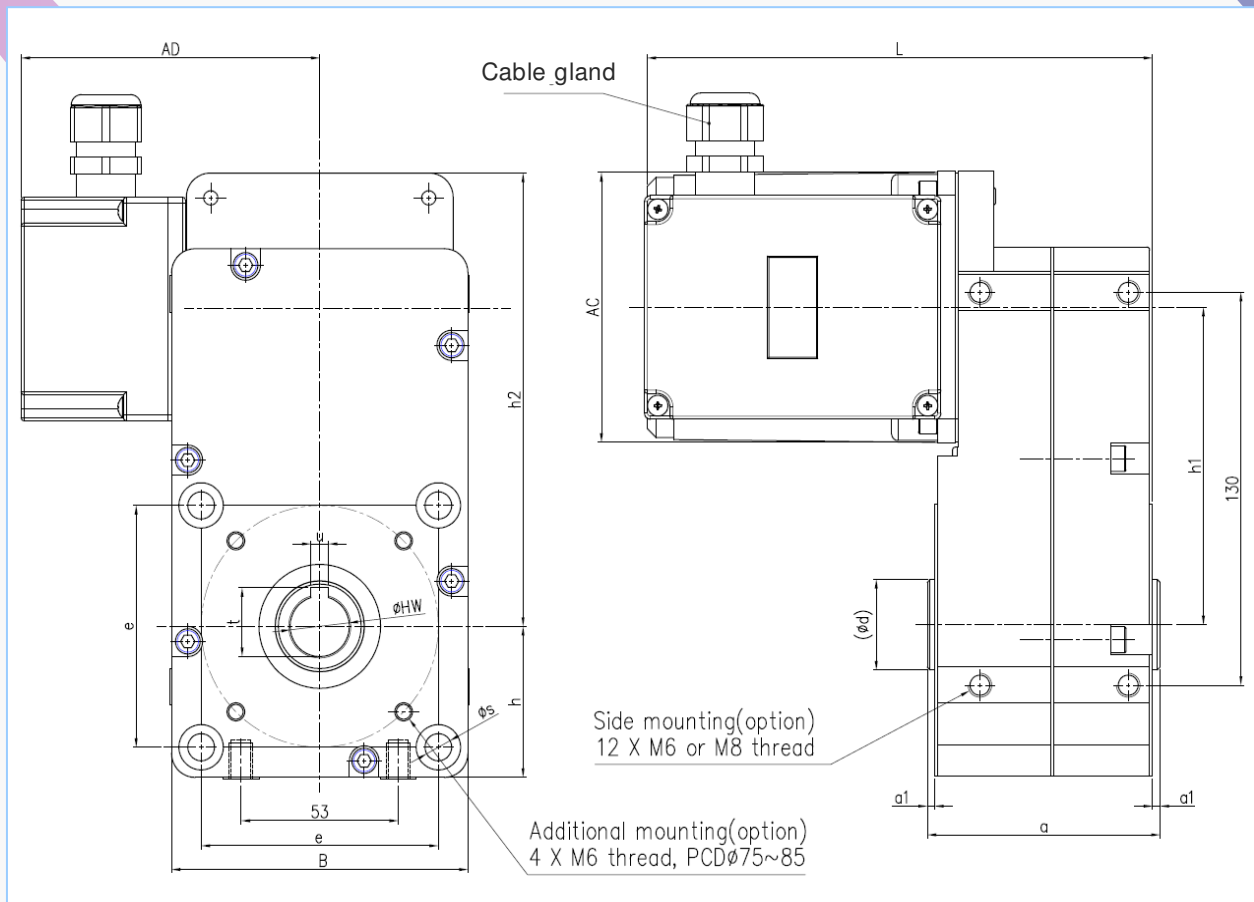


Fr = 2,000N, at x = 20 mm
Fa = 500N

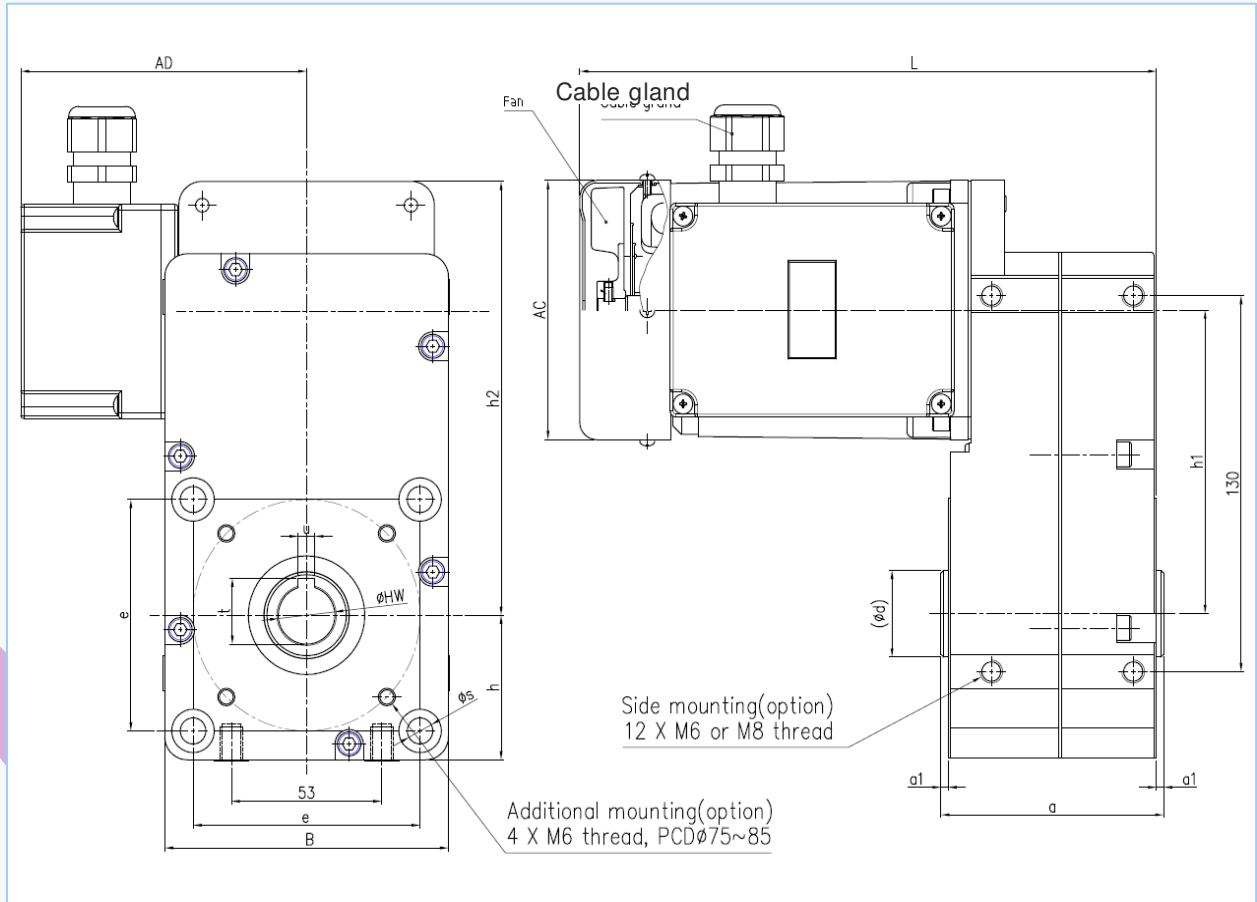
- In addition to above radial and axial forces
- If only axial forces and simultaneous radial and axial forces are present, please consult with SPG

■ DIMENSIONS

● 25/40 W (HA, HB type)



● 60/90 W (HA, HB type)



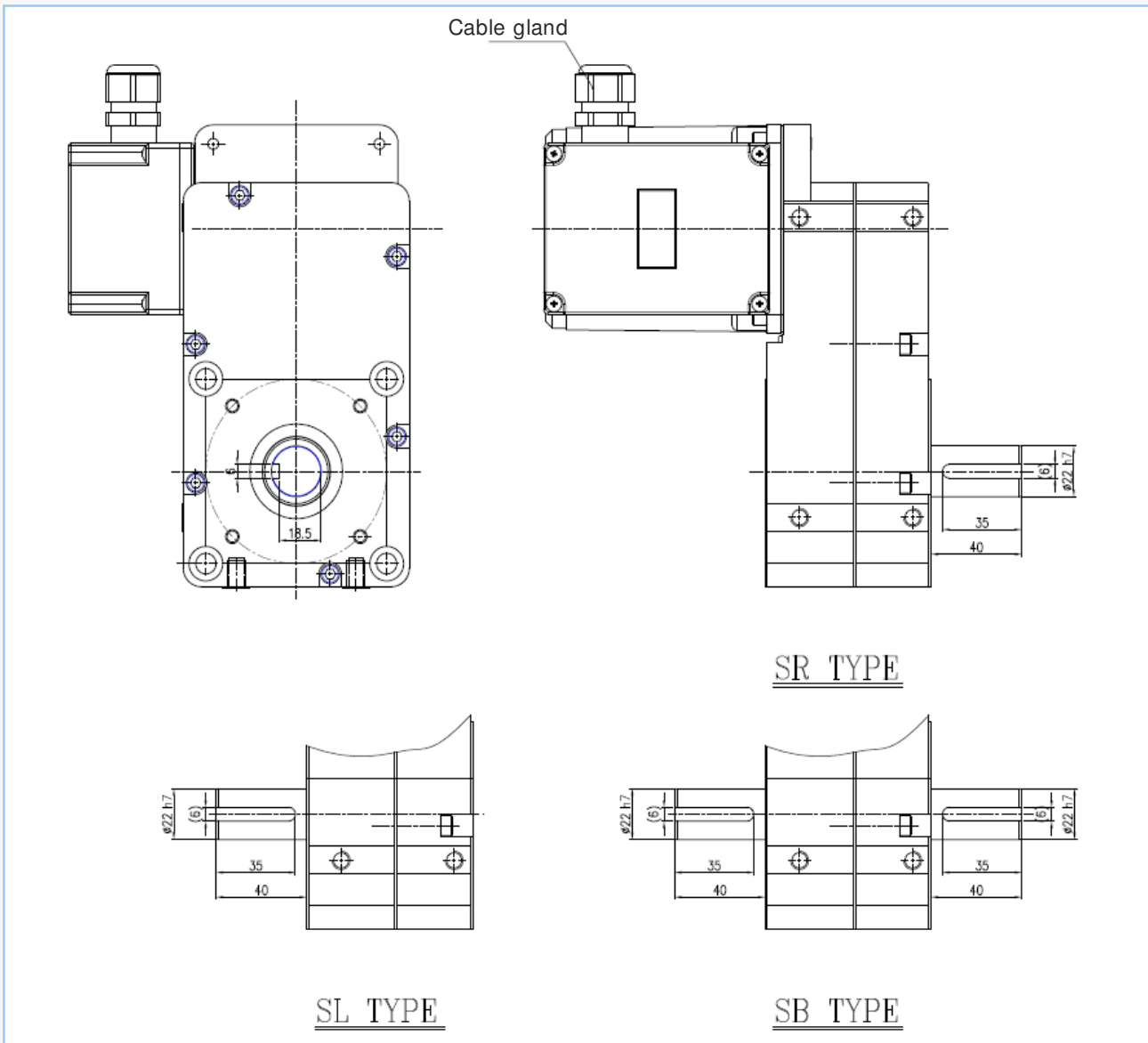
Output (W)	Weight (kg)	ϕHW	B	e	ϕs	h	h1	h2	u	t	AD	AC	L	Unit : mm		
														ϕd	a1	A
25/40	5.3	17 (20)	100	80	9	50	105	150	5	19.3 (22.8)	101	90	170	24.9 (29.9)	2.5	78.5
60	5.5												189			
90	5.8												204			

NOTE :

- () are the dimensions at ϕHW 20
- Cable gland position change is possible.

● 25~90 W (SR, SL, SB TYPE)

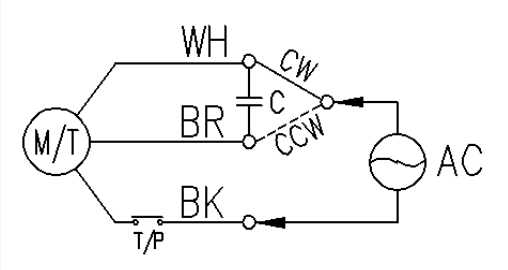
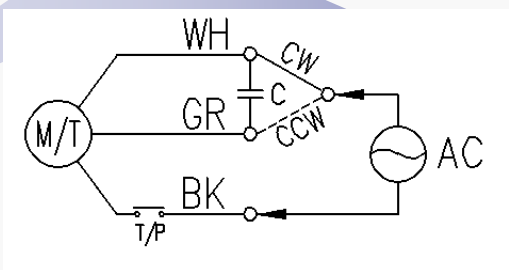
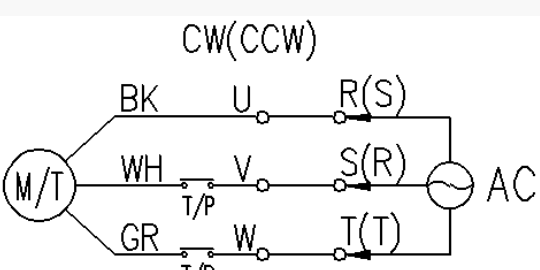
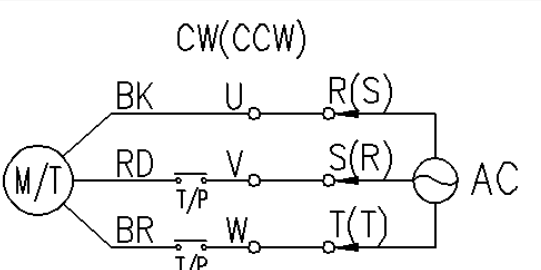
Unit : mm



NOTE :

- These are same with HA,HR type except for the dimensions indicated above.

● CONNECTION DIAGRAM [MOTOR ONLY]

<p>POWER : 100V 50/60Hz, 110V 60Hz, 115V 60Hz, 200V 50/60Hz, 220V 60Hz 1Ph.</p>	<p>POWER : 220- 240V 50Hz 1Ph.</p>
<p>TYPE : A, B, C, D, E</p>	<p>TYPE : X</p>
<p>LEADS : BLACK, WHITE, GRAY</p>	<p>LEADS : BLACK, WHITE, BROWN</p>
	
<p>POWER : 200V 50/60Hz, 220V 50/60Hz 3Ph.</p>	<p>POWER : 380- 440V 50/60Hz 3Ph.</p>
<p>TYPE : U, T</p>	<p>TYPE : S</p>
<p>LEADS : BLACK, WHITE, GRAY</p>	<p>LEADS : BLACK, RED, BROWN</p>
	

• **Rotate direction [Geared Motor]**

- Gear's stage even : Motor CW- >Gear Head CW
- Gear's stage odd : Motor CW- >Gear Head CCW

• **Special Option**

- Withdrawal leads Thermal Protector (T/P) separate
- Hole sensor or Tacho generator mounted